

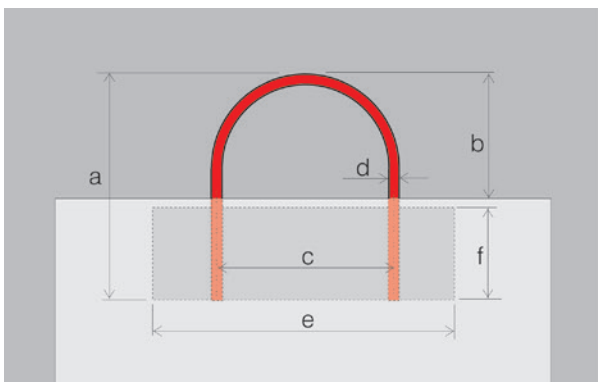
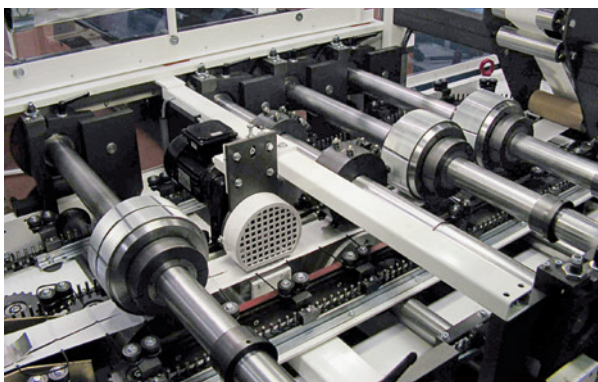
# TWISTED HANDLE UNIT SK/SERVO

For the production of carrier bags with twisted handle for TRIUMPH block bottom bag machine



# TWISTED HANDLE UNIT SK/SERVO

For the production of carrier bags with twisted handle for TRIUMPH block bottom bag machine



## Technical data

		SK/SERVO Typ 9623		SK/SERVO Typ 9621	
Handle system height	Position a	155 mm	6.10 inch	160 mm	6.30 inch
Handle excess	Position b	95 mm	3.74 inch	up to 125 mm	4.92 inch
Handle width	Position c	52 and 83 mm	2.05 and 3.27 inch	95 and 115 mm	4.53 inch
Cord diameter	Position d	3 and 4 mm	0.12 and 0.16 inch	approx. 4–5 mm	approx. 0.16–0.20 inch
Cord quality	Material with sufficient stiffness for production stability of loop handle				
Cord material	Paper (different materials after technical clarification)				
Reinforced strip length	Position e	114 and 171.5 mm	4.49 and 6.75 inch	190 and 230 mm	7.48 and 9.05 inch
Reinforced strip width	Position f	50 mm*	1.97 inch*		
Reinforced strip paper	Paper strength	90–105 g/m <sup>2</sup>			

\*Original web width 100 mm

## Format range SK (loop handle)

Bag width	140–360 mm**	5.51–14,17 inch**	220–540 mm**	8.66–21.26 inch**
Cut-off length	270–770 mm	10.63–30.31 inch	360–770 mm	14.17–30.31 inch
Paper width	max. 1320 mm	max. 51.97 inch	max. 1500 mm	max. 59.05 inch
Max. distance handle center – handle center	370 mm	14.57 inch	740 mm	29.13 inch
Min. distance handle center – handle center	210 mm	8.27 inch	290 mm	11.42 inch

\*\*depending on bag width only some handle sizes possible

## Innovations

- Continuous servo technology
- Settings on the machine can be changed during production
- Extremely short change-over times

### Garant Maschinenhandel GmbH

Gewerbepark Antrup 17 · 49525 Lengerich · Germany · Phone: +49 5481 809-0 · Fax: +49 5481 809-8109  
 info@garant-maschinen.de · www.garant-maschinen.de